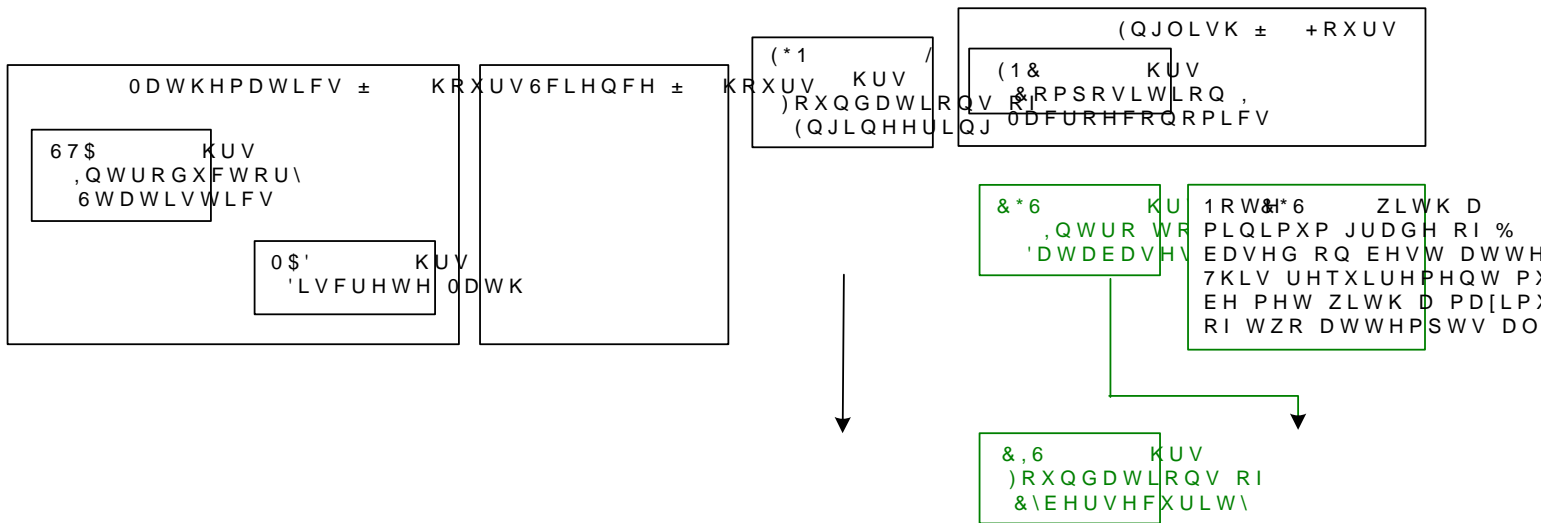


&\EHUVHFXULW\ 3URJUDP &DWDORJ ± +RXUV

127(7KLV IORZFKDUW LV SURYLGHG DV D JXLGH WKH
FDWDORJ LV WKH RQO\ GHILQLWLYH VRXUFH RI UHTXLUHPHQWV



&17 KUV / &23 KUV
&RPS,QIR 'DWD 6WUXF DQG
1HWZRUV IRU ,7 \$OJRULWKPV IRU ,7
Z ODE

,QG XVW\ FHUWLILFDWLRQ
6WXGHQWV DUH SUHSDUHG WR HDUQ &RPS7,\$ 1HWZRUV
DQG 6HFXULW\ FHUWLILFDWLRQV ZLWK VRPH DGGLWLRQDO
VWXG\ QHHGHG 6WXGHQWV DUH SUHSDUHG WR JHW SUDFWLFDO
H[SHULHQFH WR HDUQ &,663 FHUWLILFDWLRQ

1RWHV
0\$& PD\ UHTXLUH 0\$& &ROOHJH \$OJHEUD DV D SUH
UHT &RQVXOW ZLWK WKH 'HSDUWPHQW \$GYLVRU
\$SSURYHG &\EHUVHFXULW\ (OHFWLYHV KDYH YDU\ LQJ SUHUTV ±
VHH WKH 'HSDUWPHQW ZHEVLWH IRU PRUH LQIRUPDWLRQ
7KH PD[LXP QXPEHU RI FUHGLW KRXUV IRU &23 DQG &,6
LQ DQ\ FRPELQDWLRQ LV FUHGLW KRXUV IRU PRUH WKDQ
KRXUV RI &,6 LQ D VLQJOH FRPSDQ\
6WXGHQWV PD\ EH UHTXLUHG WR FRPSOHWH ERWK DQ \$SSURYHG
FLYLF OLWHUDF\ FRXUVH DQG D SDVVLQJ VFRUH RQ D GHVLJQDWHG
FLYLF OLWHUDF\ DVVHVPHQW EHIRUH JUDGXDWLRQ (URP WKH 85)
&RQVXOW WKH FDWDORJ